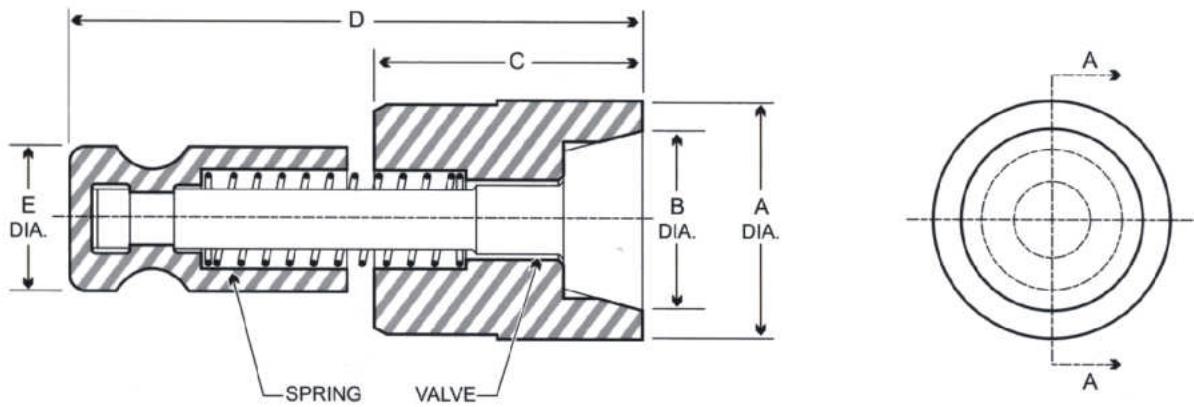




Air valves

AV

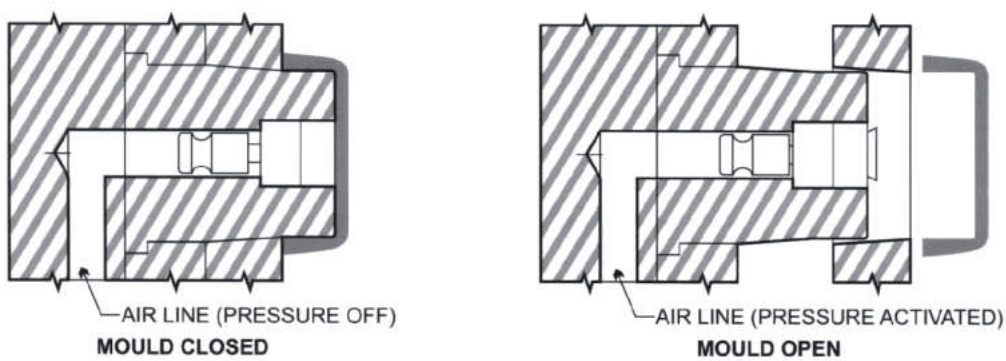


- Material:** 420 Stainless Steel
- Hardness:** HRC 50 - 55
- Order Example:** Use code AV-01

Ideal components for preventing mould damage due to ejection problems with deep draw or thin-walled parts.



Example



Type	A Ø	B Ø (approx)	C Body Length	D Overall Length	E Ø
AV-01	8	6.6	11	24	6
AV-02	12	9.7	18	34	8
AV-03	18	14.8	22	45.5	12