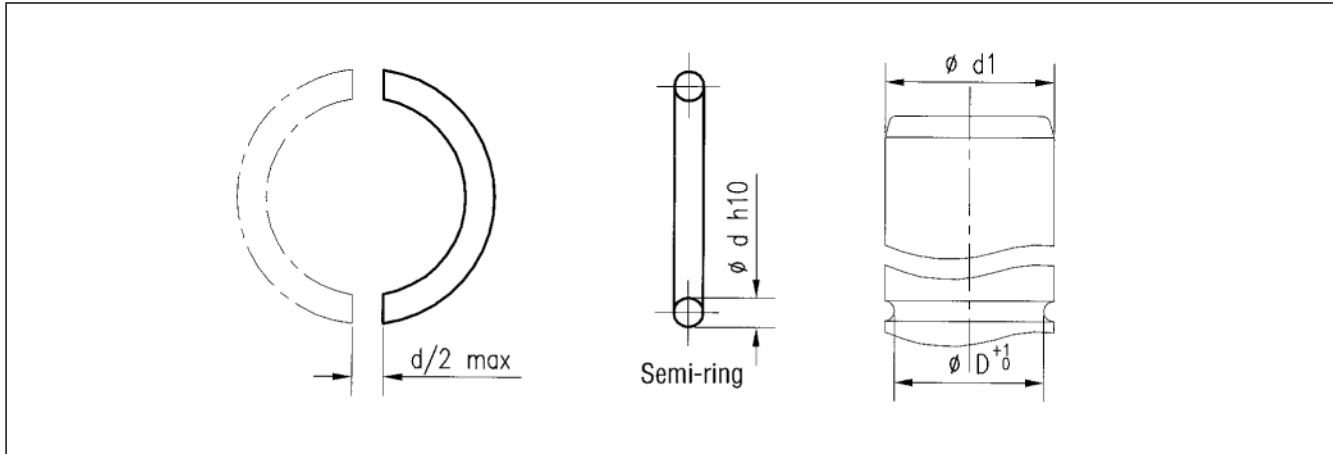


# Retaining Semi Ring

Ref: 5511



**How to Order:** Ref. 5511 d1 = 25 => **5511-025-000**

d1	12	15	16	19	20	24	25	30	32	38	40	48	50	60	63	80	100
D	10.4	13.4	14.4	16.5	17.5	21.5	22.5	26	28	34	36	44	46	54	57	74	94

d1 \ d	12	15	16	19	20	24	25	30	32	38	40	48	50	60	63	80	100
1.6	●	●	●														
2.5				●	●	●	●										
4								●	●	●	●	●	●				
6														●	●	●	●