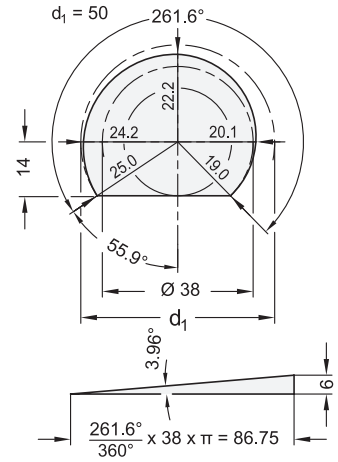
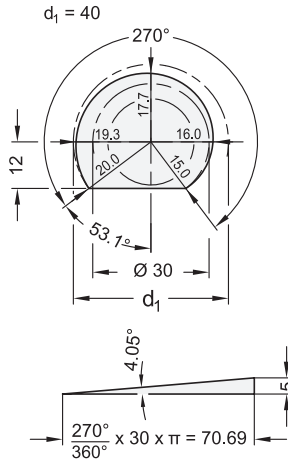
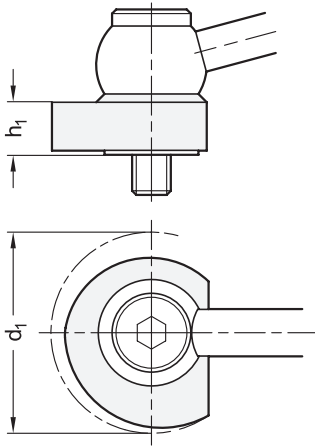
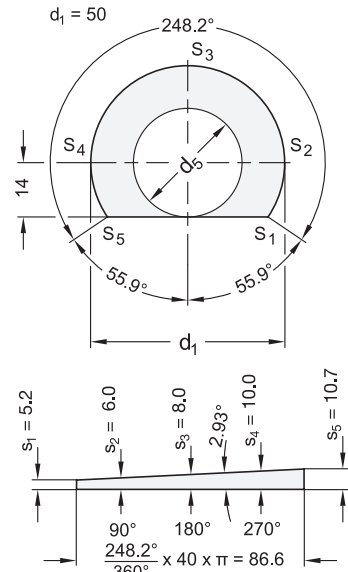
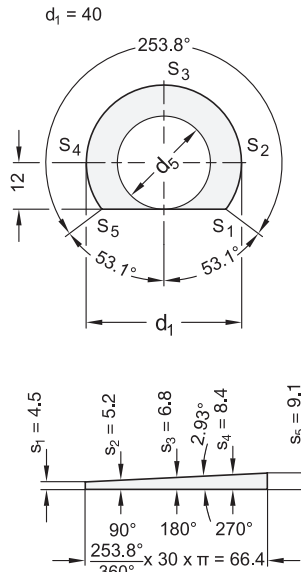
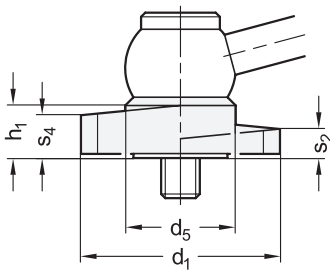


1.1
1.2
1.3
1.4
2.1
2.2
2.3
2.4

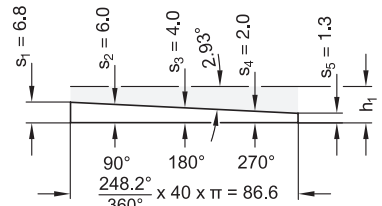
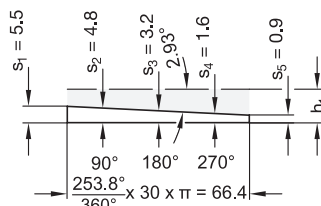
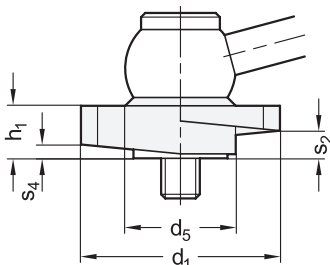
GN 918 / GN 918.5



GN 918.1 / GN 918.6



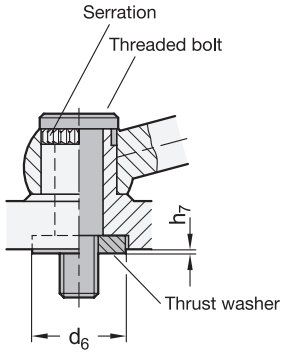
GN 918.2 / GN 918.7



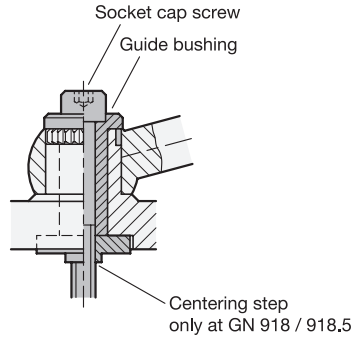
Drawn version: Type KV, Clamping direction R by clockwise rotation.

Technical instructions

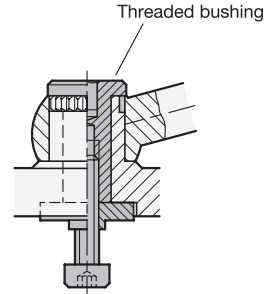
Type **GV / KV / SK**



Type **GVS / KVS / SKS**

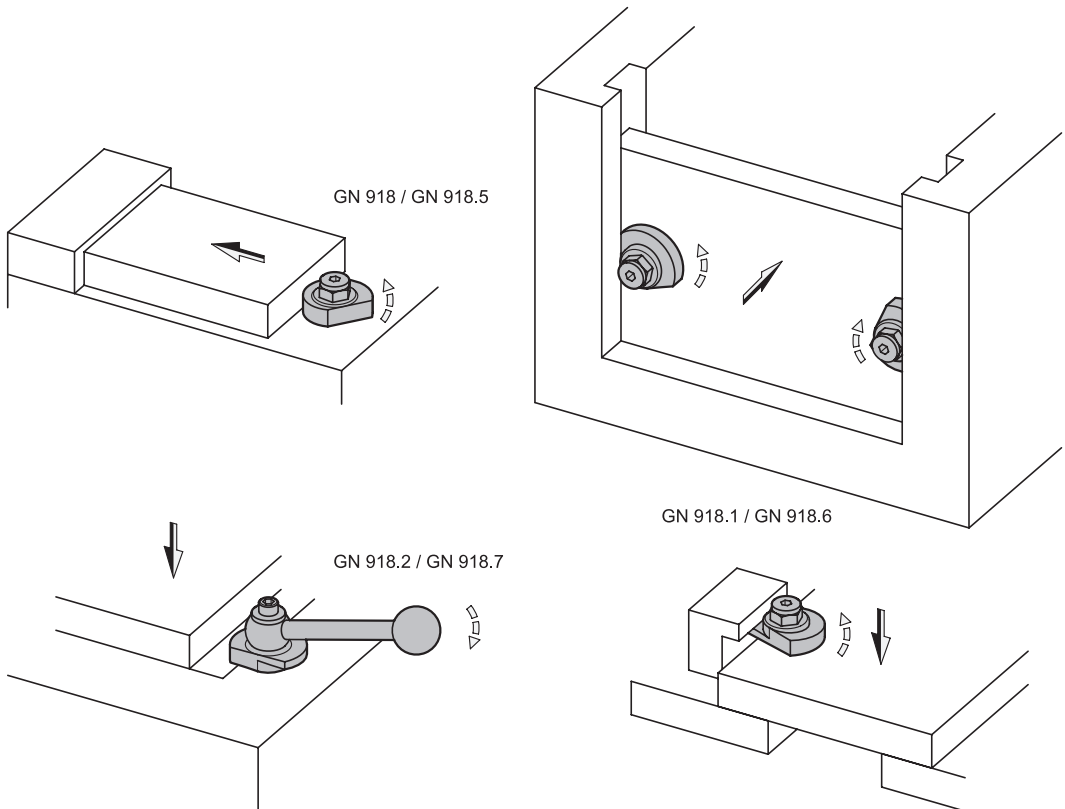


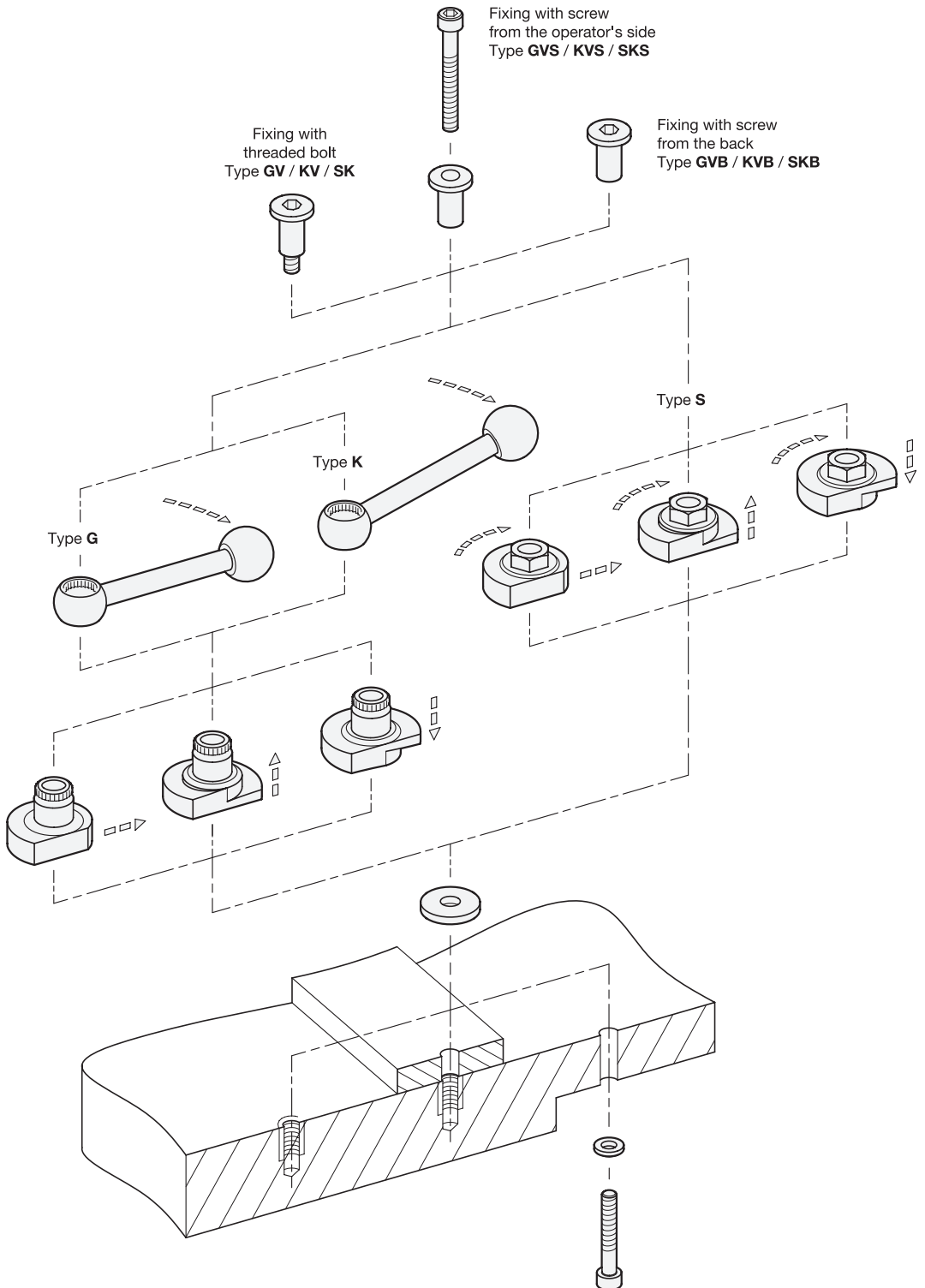
Type **GVB / KVB / SKB**



d_1	d_6	$h_7 \approx$
40	20	0,2
50	24	0,2

Application examples





1.1
1.2
1.3
1.4
2.1
2.2
2.3
2.4