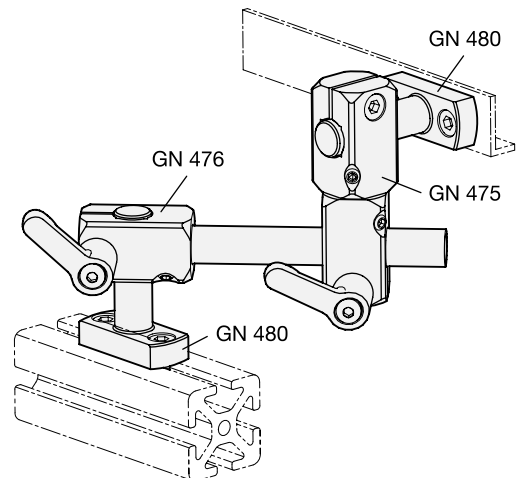
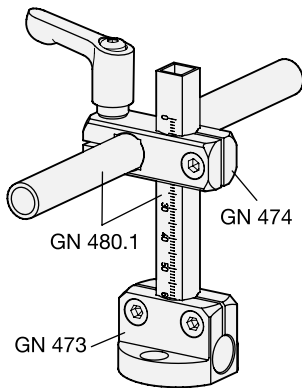
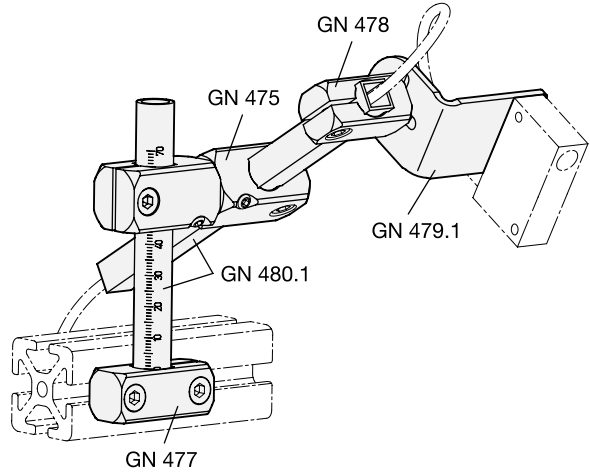
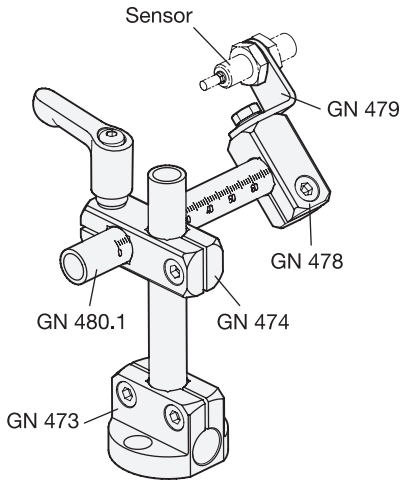


Clamp mountings

Application example



3.1

3.2

3.3

3.4

3.5

3.6

3.7

3.8

3.9

