

CAUBQFCB

GUIDE PILLAR WITH HOLE FCA

FÜHRUNGSSÄULE MIT HOHLBOHRUNG FCA | COLONNA FORATA FCA

FCA 065.90.70

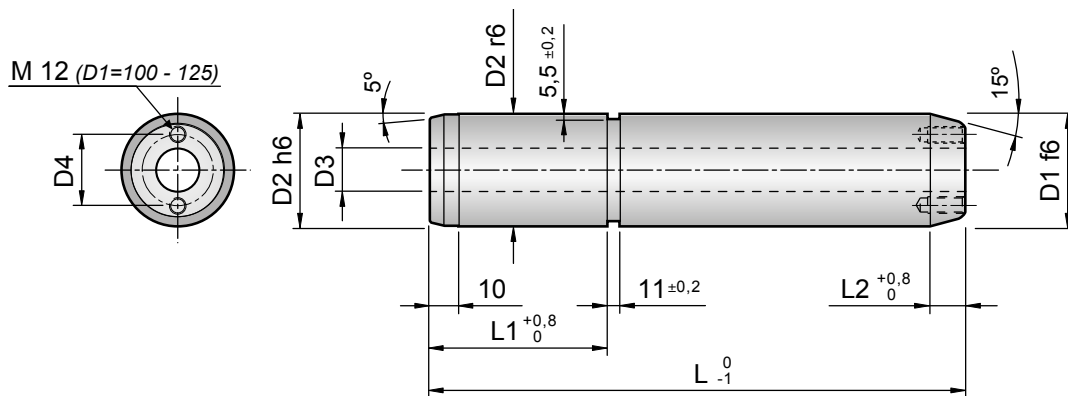


Material: 1.7131
Hardness: 61÷63 HRC
Execution: fine ground



HOW TO ORDER

CAUBQFCB * D1 * L (CAUBQFCB80250)



D1	D2	D3	D4	L1	L2	L								
						250	280	315	355	400	450	500	550	
80	80	40	---	100	10	◇	◇	◇	◇	◇				
100	100	50	74	125					◇	◇	◇	◇	◇	◇
125	125	65	84	140						◇	◇	◇	◇	◇