

CAMBQI

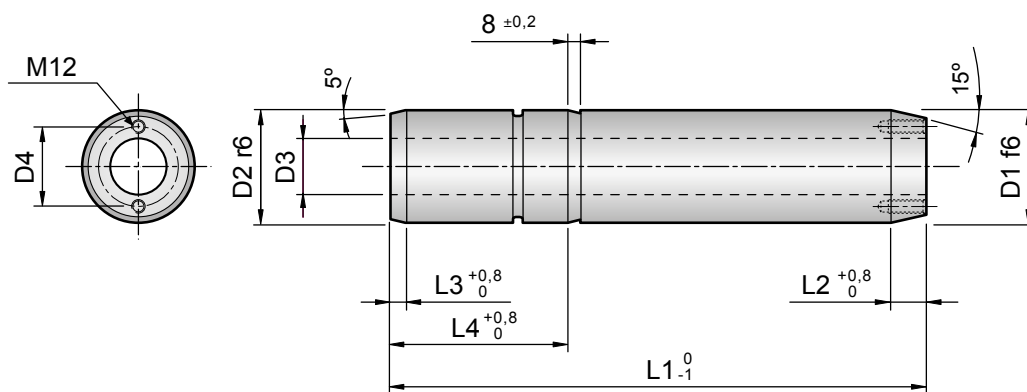
GUIDE PILLAR WITH HOLE MERCEDES

FÜHRUNGSSÄULE MIT HOHLBOHRUNG MERCEDES | COLONNA FORATA MERCEDES

B8 0450 200 009 001



Material: steel Hardness: 60÷64 HRC Execution: fine ground	DAYS 12	3D-CAD 	HOW TO ORDER CAMBQI * D1 * L1 (CAMBQI100280)
--	------------	------------	---



D1	D2	D3	D4	L2	L3	L4	L1							
							280	315	355	400	450	500	560	
100	100	50	72	10	4	125	◇	◇	◇	◇				
125	125	65	90	12	5	140			◇	◇				
160	160	95	132			180			◇	◇	◇	◇		